



FEATURES

- 7" LCD Panel With Projected Capacitive Touchscreen
- NXP i.MX6 Application Processor
- One Gigabit Ethernet Port, 802.3af PoE
- Android 6.0.1, Debian Linux, Yocto Embedded Linux
- Internal RS-232/485, CAN, & GPIO Port Header For Expansion
- On-board WiFi Module & Bluetooth BLE
- Wall Mount Bracket For In-wall Mounting Applications

The PPC-4107 is an all-in-one wall mount industrial Panel PC with a 1024 x 600 frameless touchscreen. The system is equipped with a high performance NXP i.MX6 application processor. The on-board Gigabit Ethernet support 802.3af PoE (Power over Ethernet) makes it perfect for home and building automation, HVAC monitoring and control and interactive IoT applications.

SPECIFICATIONS

SYSTEM

Processor	NXP i.MX6 1GHz Dual Lite or Quad
Platform	ARM Cortex A9
Memory	1GB Onboard DDR3
OS	Android 6.0.1, Embedded Linux 3.14, Debian 8
Storage	Onboard NAND Flash (8GB default)

DISPLAY

Interface	LVDS
Display Type	TFT Active Matrix LED Backlight
Screen Size	7"
Resolution	1024 x 600
Luminance	350 cd/m2
View Angle	75°
Contrast Ratio	800:1
Backlight Lifetime	15,000 Hr (Typical)
Touch Screen	Projected Capacitive Touch Screen
Touch Controller	I ² C

COMMUNICATIONS

Ethernet	1x Gigabit Ethernet RJ-45, Supports 802.3af PoE
Wi-Fi	802.11 b/g/n
Bluetooth	BLE

I/O INTERFACE

Audio	2x 1W, Optional Front or Rear
Ports	2x RS-232
	1x RS-485/CAN
	1x SPI
	1x I ² C
	10x GPIO via Internal Header
	1x USB 2.0 Type A

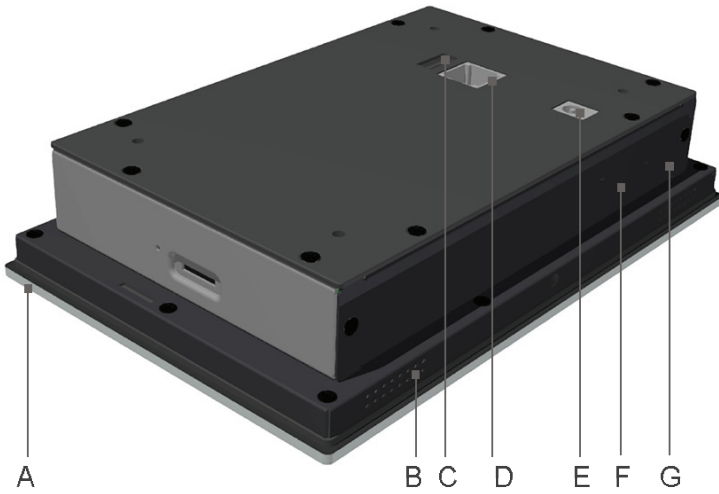
MECHANICAL

Cooling	Fanless
Watchdog Timer	Built-in
RTC	Supports RTC Battery Backup
Enclosure Material	Aluminium and Steel
Enclosure Color	Black
	White
Mounting	75 x 75 mm VESA Mount
	Panel Mount
Dimensions	190mm x 126mm x 40.5mm (7.48" x 4.96" x 1.59")

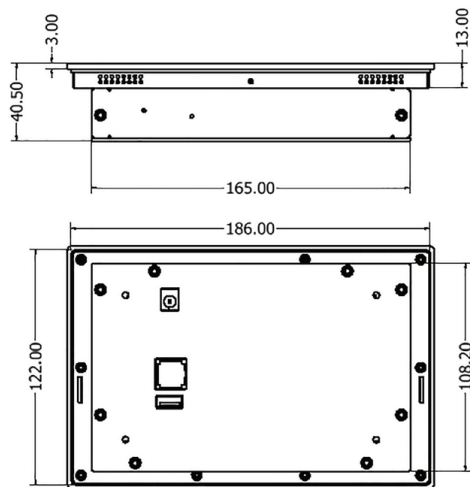
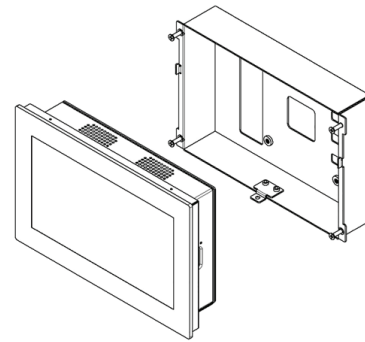
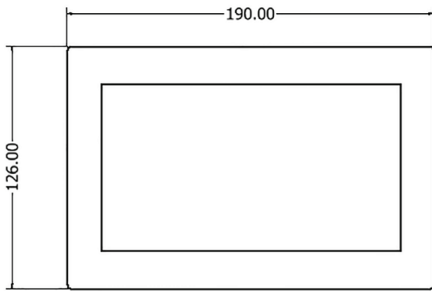
ENVIRONMENTAL

Protection	Front Panel IP-65
	3mm Tempered Glass, Edge To Edge
Operating Temp	0°C to 60°C (32°F to 140°F)
Storage Temp	-20°C to 70°C (-4°F to 168°F)
Humidity	10% to 90% @ 40°C (Non-Condensing)

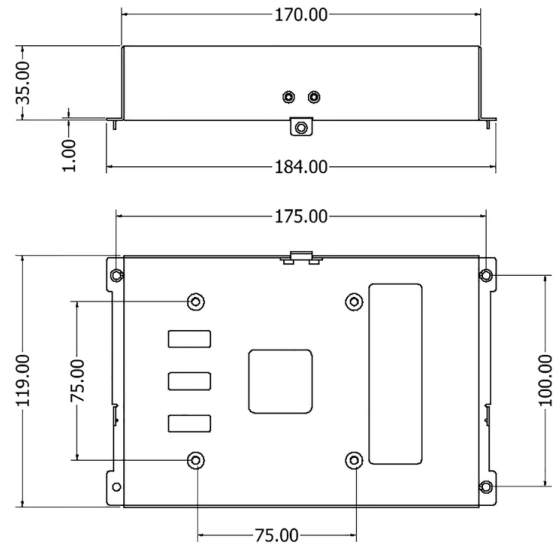
*Specifications are representative. Specific product technology may be different than indicated.



- A. 3mm Tempered Glass
- B. Front Panel Speakers
- C. USB 2.0 Type A
- D. GbE with POE Support
- E. 9 - 24V DC Input
- F. GPIO Button1
- G. GPIO Button2



Panel PC



Wall Mount Bracket

ORDER OPTIONS

PART NUMBER	DESCRIPTION
-------------	-------------

PPC-4107-DLP	7" Panel PC / HMI with i.MX6 DL processor, capacitive touch screen, single GbE, POE and DC power input
PPC-4107-QP	7" Panel PC / HMI with i.MX6 Q processor, capacitive touch screen, single GbE, POE and DC power input