

Intel Atom x5-Z8350 Tablet Style Touch Panel PC / HMI with Ethernet, WiFi, Serial Ports and POE+ option



INTRODUCTION

The PPC-6610 is a 10" all-in-one tablet style industrial Panel PC with 1920 x 1200 touch screen. The system equips with high performance Intel Atom x5-Z8350 processor. The system has built-in WiFi and a Ethernet port that support 802.3at POE+ Power over Ethernet with optional module support make it perfect for industrial control, HMI, digital signage, building automation, vending machine and interactive IoT applications.

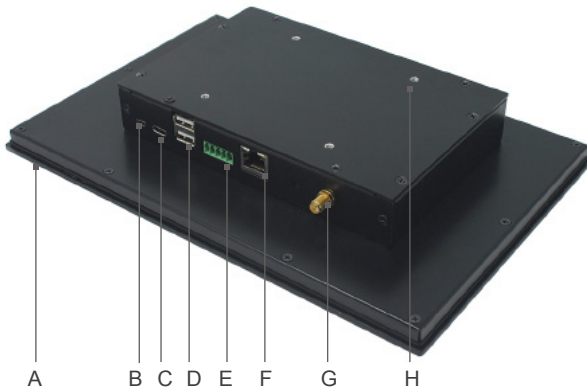
FEATURES

- Intel Atom x5-Z8350 Cherry Trail processor
- Ethernet port support 802.3at POE+ option and On-board WiFi/BT
- 10.1" LCD panel with projected capacitive touch screen
- RS-232/485 and customizable I/O for communication
- Support Windows 10 and Linux

SPECIFICATIONS

Processor	Intel Atom x5-Z8350 Processor (2M Cache, up to 1.84 GHz)	Contrast Ratio	1300
Platform	Intel Cherry Trail	Viewing Angle	85 (Left), 85 (Right), 85 (Top), 85 (Bottom)
System Memory	2GB DDR3 1600MHz (Memory down)	Backlight Lifetime	25,000 Hr (Typical)
Ethernet	1 x 10/100/1000 Mbps RTL8111F GbE with 802.3at POE+ support	Touch Type	Projected capacitive touch screen
WiFi	On-Board WiFi module with internal antenna connector option	Touch Controller	I ² C
Storage	On-board NAND flash (32GB default)	Enclosure Material	Plastics bezel, metal enclosure
Cooling	Fanless	Enclosure Color	Black
Display Interface	Micro HDMI, LVDS, eDP or MIPI DSI	Mounting Option	Wall mount, panel mount or 75 x 75mm VESA mount
I/O Ports	1 x RS-232/485 via terminal block 2 x USB 2.0 Host, 1 x USB3.0 2 x GPIO via terminal block	Operating Temperature	0 ~ 50°C (32 ~ 122°F)
Speaker	Optional, up to 2x 10W	Storage Temperature	-20 ~ 70° C (-4 ~ 158° F)
Watchdog timer	Built-in	Operating Humidity	10 ~ 95% @ 40°C (Non-Condensing)
Camera	Optional MIPI CSI up to 5MP	Protection	Front panel IP65 compliant
Input Voltage	12/19V DC (Typical 12V) or POE (with optional module)	Dimensions	274 x 178 x 35 mm (10.8" x 7" x 1.3")
Display Type	10.1" TFT active matrix LED backlight	OS Support	Windows 10, Linux
Display Resolution	1920 x 1200		
Luminance	400 cd/m ²		

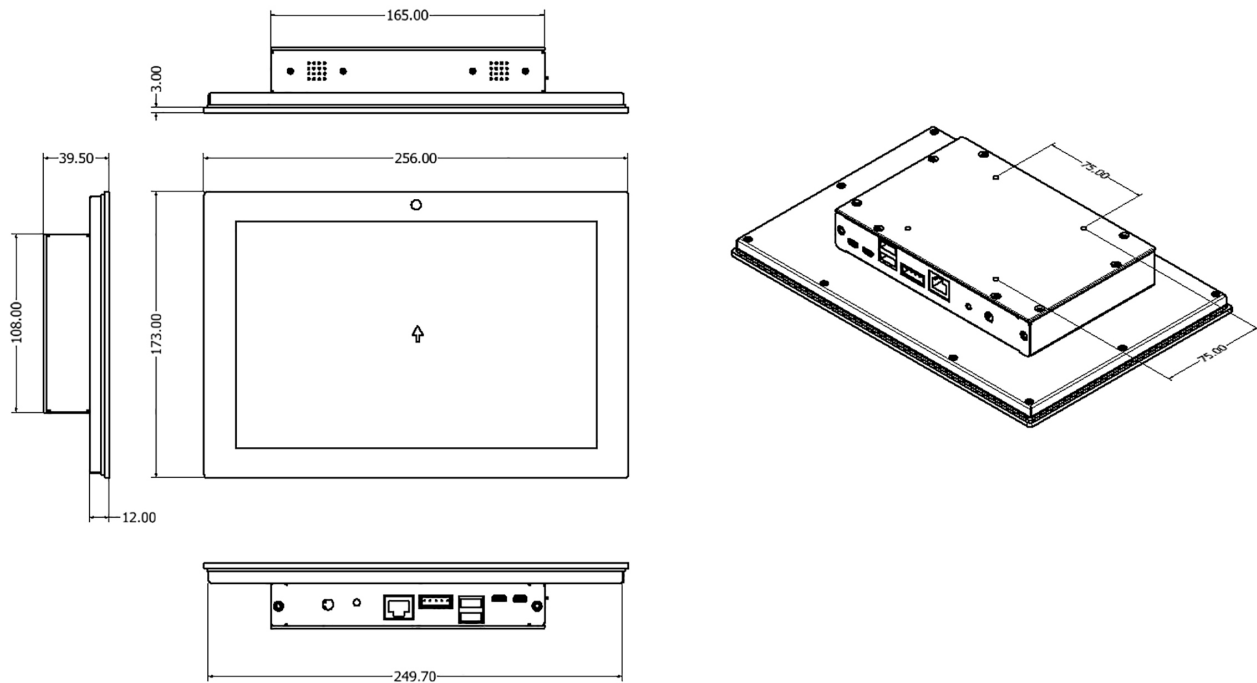
I/O LAYOUT



- A. 3mm Tempered Glass
- B. Mini-HDMI
- C. USB 3.0 OTG
- D. 2x USB 2.0
- E. 2 x GPIO, 1x RS-232/485
- F. Ethernet 1 with POE ready
- G. External WiFi Antenna
- H. 75 x 75mm VESA Mount

DIMENSIONS

Unit: mm



ORDER INFORMATION

Part No.	Description
PPC-6610-E23	10.1" Panel PC / HMI with Z8350 Processor, 2G RAM, 32G eMMC, 12V/19 power input
PPC-6610-E46	10.1" Panel PC / HMI with Z8350 Processor, 4G RAM, 64G eMMC, 12V/19 power input